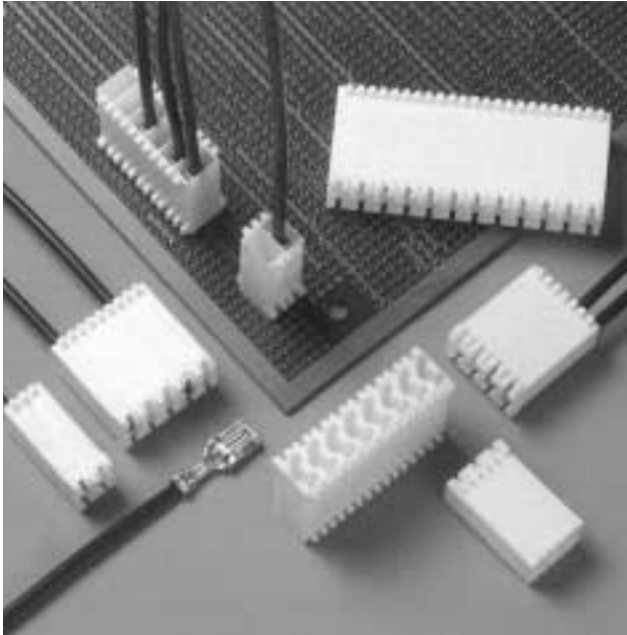




# RSF CONNECTOR

Connectors for tabs

5.0mm  
(.197") pitch



## Features

### • **Secure locking, easy insertion**

The combination of terminal and housing allows easy mating to a male tab. Unmating is equally easy. Simply hold the housing and pull. The contact locking spring is depressed by the taper inside the housing. The locking mechanism prevents accidental disengagement of the contact from the mating tab.

### • **Stable contact performance**

The contact is designed as a low insertion force with a large contact area to give stable performance, even when high current is applied.

### • **Lanceless contacts help to prevent contact back out**

Removal of the locking lance from the contact and putting it in the housing, eliminates a major cause of contact backout due to damaged locking lances during termination and harness assembly.

### • **Housing options:**

Selective removal of the built-in keys, allows for an infinite number of keying possibilities. In addition, contact cavities can be blocked using the cavity blocking plug or molded into the housing when volume requirements dictate. The housings can be molded in various colors.

## Specifications

- Current rating: 20A AC, DC max. (#250 tab + AWG#12)
- Voltage rating: 250V AC, DC max.
- Temperature range: -40°C to +105°C  
(including temperature rise in applying electrical current)
- Contact resistance: Initial value/ 3m  $\Omega$  max.  
After environmental testing/ 6m  $\Omega$  max.
- Insulation resistance: 1,000M  $\Omega$  min.
- Withstanding voltage: 2,000V AC/minute
- Applicable wire: #250...AWG #22 to #12
- Applicable tab: #250 Tab 0.8mm(.031") thick

- \* Contact JST if Lead-Free product is required.
- \* Refer to "General Instruction and Notice when using Terminals and Connectors" at the end of this catalog.
- \* Contact JST for details.

## Standards



Recognized E60389

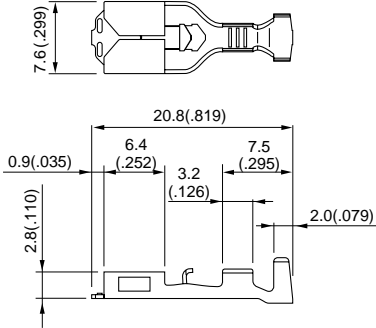
Certified C22.2 #182.3-M1987

# RSF CONNECTOR

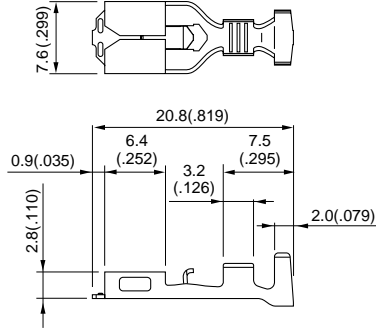
## Contact

### #250 Series

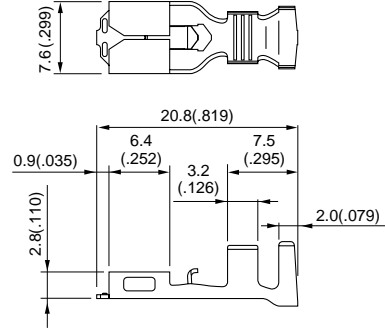
SRSF-21T-250A\* (Tin Plated)  
SRSF-21-250A\* (Unplated)



SRSF-61T-250A\* (Tin Plated)  
SRSF-61-250A\* (Unplated)

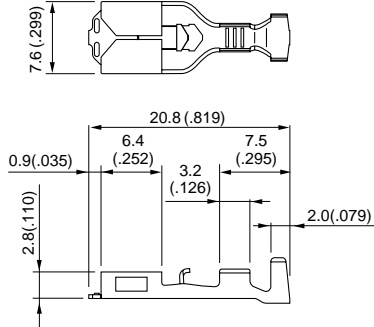


SRSF-91T-250A\* (Tin Plated)  
SRSF-91-250A\* (Unplated)

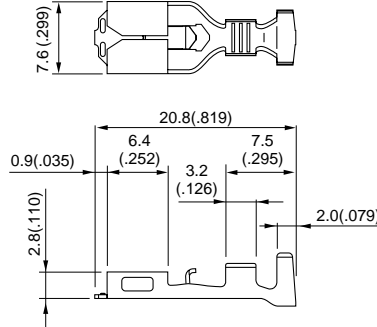


### #250 Series Nickel Plated Steel

SRSF-21N-250FE\*

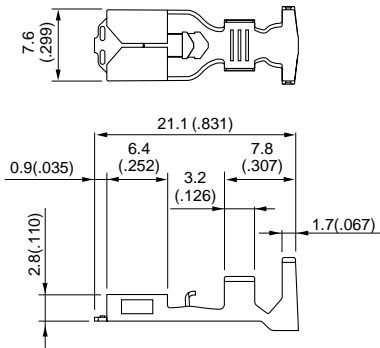


SRSF-61N-250FE\*



### #250 Series Double Wire Crimp

SRSF-82T-250A\* (Tin Plated)  
SRSF-82-250A\* (Unplated)

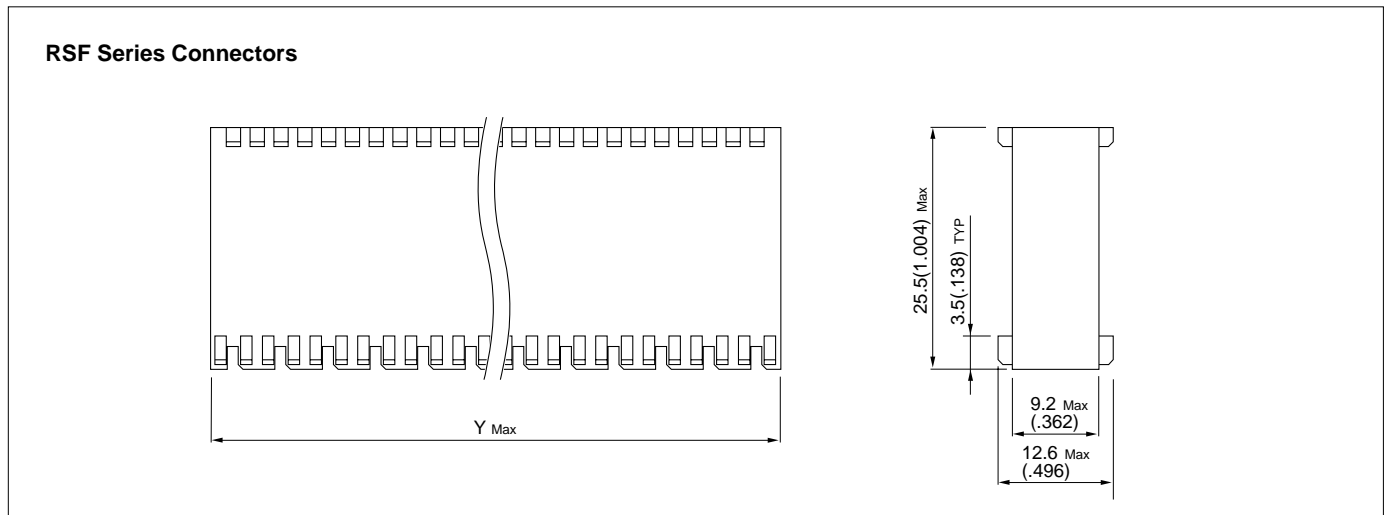


Note: \*Contact JST for availability.

## Contact

| Model No.       | Series | Applicable wire                 |                     |  | Material | Finish        | Q'ty / reel |
|-----------------|--------|---------------------------------|---------------------|--|----------|---------------|-------------|
|                 |        | mm <sup>2</sup>                 | AWG # UL1015        | Insulation O.D. mm(in.)                    |          |               |             |
| SRSF-21-250A*   | #250   | 0.32 to 0.82                    | 22 to 18            | 2.5 to 3.0(.098 to .118)                   | Brass    | —             | 5,000       |
| SRSF-21T-250A*  |        |                                 |                     |  |          | Tin-plated    |             |
| SRSF-61-250A    |        | 0.82 to 2.08                    | 18 to 14            | 3.0 to 3.9(.118 to .154)                   | Brass    | —             | 5,000       |
| SRSF-61T-250A   |        |                                 |                     |  |          | Tin-plated    |             |
| SRSF-91-250A*   |        | 2.08 to 3.30                    | 14 to 12            | 3.9 to 4.4(.154 to .173)                   | Brass    | —             | 5,000       |
| SRSF-91T-250A*  |        |                                 |                     |  |          | Tin-plated    |             |
| SRSF-82-250A*   |        | 0.82+0.82, 1.31+1.31, 1.31+0.52 | 18+18, 16+16, 16+20 | 3.0+3.0 to 3.4+3.4(.118+.118 to .134+.134) | Brass    | —             | 5,000       |
| SRSF-82T-250A*  |        |                                 |                     |  |          | Tin-plated    |             |
| SRSF-21N-250FE* |        | 0.32 to 0.82                    | 22 to 18            | 2.5 to 3.0(.098 to .118)                   | Steel    | Nickel-plated | 5,000       |
| SRSF-61N-250FE* |        | 0.82 to 1.25                    | 18 to 16            | 3.0 to 3.4(.118 to .134)                   |          |               |             |

Note: Contact Extraction Tool Part Number: AEJ-RSF250H  
\*Contact JST for availability.



| Circuits | Model No. | Q'ty/bag | "Y"Max.mm(in.) | Applicable terminal  |
|----------|-----------|----------|----------------|--|
| 2        | RSFP-2V   | 3,000    | 10.0(.394)     | SRSF-21T-250A<br>SRSF-21-250A<br>SRSF-61T-250A<br>SRSF-61-250A<br>SRSF-91T-250A<br>SRSF-91-250A<br>SRSF-82T-250A<br>SRSF-82-250A<br>SRSF-21N-250FE<br>SRSF-61N-250FE |
| 3        | RSFP-3V   | 2,000    | 15.0(.591)     |  |
| 4        | RSFP-4V   | 2,000    | 20.0(.787)     |  |
| 5        | RSFP-5V   | 1,500    | 25.0(.984)     |  |
| 6        | RSFP-6V   | 1,000    | 30.0(1.181)    |  |
| 7        | RSFP-7V   | 1,000    | 35.0(1.378)    |  |
| 8        | RSFP-8V   | 1,000    | 40.0(1.575)    |  |
| 9        | RSFP-9V   | 800      | 45.0(1.772)    |  |
| 10       | RSFP-10V  | 500      | 50.0(1.969)    |  |
| 11       | RSFP-11V  | 500      | 55.0(2.165)    |  |
| 12       | RSFP-12V  | 500      | 60.0(2.362)    |  |

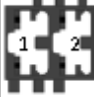


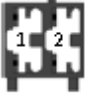


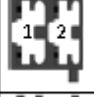

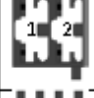

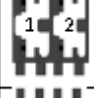
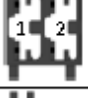
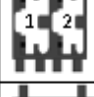
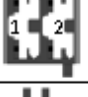


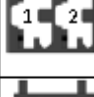
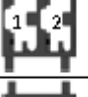
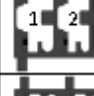
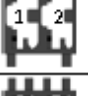
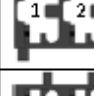
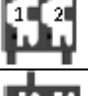

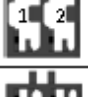
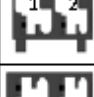
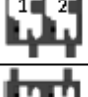

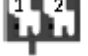
### Material and Finish

Nylon 66, UL94V-0, natural(white) Other colors available upon request.

Notes: Consult JST for keying options and colored housings.  
Cavity Blocking Plug Part Number: RSFP-PK.  
Mates with NEMA, PC Mounted tabs only.

# RSF connector

## Housing 2 Position

| Circuits | Model no.  | Keying  | Circuits | Model no.  | Keying  |
|----------|--|---|----------|------------|---|
| 2        | RSFP-2V-16                                       |    | 2        | RSFP-2V-B  |    |
| 2        | RSFP-2V-17                                       |    | 2        | RSFP-2V-C  |    |
| 2        | RSFP-2V-18                                       |    | 2        | RSFP-2V-D  |    |
| 2        | RSFP-2V-G  |    | 2        | RSFP-2V-F  |    |
| 2        | RSFP-2V-H  |    | 2        | RSFP-2V-L  |    |
| 2        | RSFPE-2V-00<br>(Extended Length Series - 44.3mm) |    | 2        | RSFP-2V-M  |    |
| 2        | RSFP-2V  |   | 2        | RSFP-2V-N  |   |
| 2        | RSFP-2V-E  |  | 2        | RSFP-2V-O  |  |
| 2        | RSFP-2V-00 (Natural)<br>RSFP-2VB-00 (Black)      |  | 2        | RSFP-2V-Q  |  |
| 2        | RSFP-2V-B  |  | 2        | RSFP-2V-BA |  |
| 2        | RSFP-2V-K  |  | 2        | RSFP-2V-AA |  |
| 2        | RSFP-2V-I  |  | 2        | RSFP-2V-AB |  |
| 2        | RAFP-2V-P  |  | 2        | RSFP-2V-15 |  |
| 2        | RSFP-2V-09                                       |  | 2        | RSFP-2V-24 |  |

# RSF connector

## Housing 3 Position

| Circuits | Model no.                 | Keying | Circuits | Model no.     | Keying |
|----------|---------------------------|--------|----------|---------------|--------|
| 3        | RSFP-3V-27                |        | 3        | RSFP-3V-H     |        |
| 3        | RSFP-3V-36                |        | 3        | RSFP-3V-I     |        |
| 3        | RSFP-3V-00<br>RSFP-3VB-00 |        | 3        | RSFP-3V-K     |        |
| 3        | RSFP-2(3)V-00             |        | 3        | RSFP-3V-HA    |        |
| 3        | RSFP-3V                   |        | 3        | RSFP-3V-28    |        |
| 3        | RSFP-3V-29                |        | 3        | RSFP-3(3)V-00 |        |
| 3        | RSFP-2(3)VB-00            |        |          |               |        |
| 3        | RSFP-3V-B                 |        |          |               |        |
| 3        | RSFP-3V-ZB                |        |          |               |        |
| 3        | RSFP-3V-A                 |        |          |               |        |
| 3        | RSFP-3V-C                 |        |          |               |        |
| 3        | RSFP-3V-D                 |        |          |               |        |
| 3        | RSFP-3V-E                 |        |          |               |        |
| 3        | RSFP-3V-F                 |        |          |               |        |
| 3        | RSFP-3V-G                 |        |          |               |        |

# RSF connector

## Housing 4 Position

| Circuits | Model no.                                | Keying | Circuits | Model no.                 | Keying |
|----------|--|--------|----------|---------------------------|--------|
| 4        | RSFP-4V-A                                |        | 4        | RSFP-4V-AA                |        |
| 4        | RSFP-2(4)V-00                            |        | 4        | RSFP-4V18                 |        |
| 4        | RSFP-3(4)V-00                            |        | 4        | RSFP-2(4)VB               |        |
| 4        | RSFP-4V00                                |        | 4        | RSFP-3(4)V                |        |
| 4        | RSFP-4V                                  |        | 4        | RSFP-4V-AB<br>RSFP-4VB-AB |        |
| 4        | RSFP-2(4)V<br>RSFP-2(4)VB<br>RSFP-2(4)VH |        | 4        | RSFP-4V28                 |        |
| 4        | RSFP-4V19                                |        | 4        | RSFP-4V29                 |        |
| 4        | RSFP-2.3(4)V-00                          |        |          |                           |        |
| 4        | RSFP-4V-C                                |        |          |                           |        |
| 4        | RSFP-4V27                                |        |          |                           |        |
| 4        | RSFP-4V-B                                |        |          |                           |        |
| 4        | RSFP-4V-D                                |        |          |                           |        |
| 4        | RSFP-4V-E                                |        |          |                           |        |
| 4        | RSFP-4V-F                                |        |          |                           |        |
| 4        | RSFP-4V-G                                |        |          |                           |        |

# RSF connector

## Housing 5 Position

| Circuits | Model no.      | Keying | Circuits | Model no.      | Keying |
|----------|----------------|--------|----------|----------------|--------|
| 5        | RSFP-2.3(5)V00 |        | 5        | RSFP-5VC       |        |
| 5        | RSFP-5V-AA     |        | 5        | RSFP-5VD       |        |
| 5        | RSFP-5V00      |        | 5        | RSFP-5V-FS     |        |
| 5        | RSFP-2(5)V00   |        | 5        | RSFP-5V-GS     |        |
| 5        | RSFP-4(5)V00   |        | 5        | RSFP-2(5)V     |        |
| 5        | RSFP-3(5)V00   |        | 5        | RSFP-2.4(5)V00 |        |
| 5        | RSFP-5(5)V00   |        | 5        | RSFP-2.3(5)V00 |        |
| 5        | RSFP-1.4(5)V00 |        | 5        |                |        |
| 5        | RSFP-5V        |        | 5        |                |        |
| 5        | RSFP-5VB-00    |        | 5        |                |        |
| 5        | RSFP-3(5)VB-00 |        | 5        |                |        |
| 5        | RSFP-5VES      |        | 5        |                |        |
| 5        | RAFP-5V-DA     |        | 5        |                |        |
| 5        | RSFP-5V-A      |        | 5        |                |        |
| 5        | RSFP-5VB       |        | 5        |                |        |

# RSF connector

## Housing 6 Position

| Circuits | Model no.         | Keying | Circuits | Model no.           | Keying |
|----------|-------------------|--------|----------|---------------------|--------|
| 6        | RSFP-2.4(6)V00    |        | 6        | RSFP-3(6)V00        |        |
| 6        | RSFP-6V-A         |        | 6        | RSFP-6V-B           |        |
| 6        | RSFP-2.3.4(6)V-FA |        | 6        | RSFP-6V-C           |        |
| 6        | RSFP-4.5(6)V00    |        | 6        | RSFP-6V-D           |        |
| 6        | RSFP-6V           |        | 6        | RSFP-6V-E           |        |
| 6        | RSFP-4(6)V00      |        | 6        | RSFP-1.3.6(6)V-DA   |        |
| 6        | RSFP-2.3.5(6)V00  |        | 6        | RSFP-2.3.4(6)V-B-FA |        |
| 6        | RSFP-3.5(6)V00    |        | 6        | RSFP-2.3.4(6)V-FS   |        |
| 6        | RSFP-2.3(6)V00    |        | 6        | RSFP-5(6)V00        |        |
| 6        | RSFP-2.6(6)V00    |        | 6        | RSFP-6V-14          |        |
| 6        | RSFP-6V-FS        |        | 6        | RSFP-6V-15          |        |
| 6        | RSFP-3.4(6)V00    |        | 6        | RSFP-6V-16          |        |
| 6        | RSFP-2(6)V00      |        | 6        | RSFP-6V-17          |        |
| 6        | RSFP-6V00         |        |          |                     |        |
| 6        | RSFP-2.4.6(6)V00  |        |          |                     |        |

# RSF connector

## Housing 7 Position

| Circuits | Model no.          | Keying | Circuits | Model no.          | Keying |
|----------|--------------------|--------|----------|--------------------|--------|
| 7        | RSFP-3.5.6(7)V-00  |        | 7        | RSFP-7VB-00        |        |
| 7        | RSFP-3(7)V-00      |        | 7        | RSFP-3.4(7)VB-00   |        |
| 7        | RSFP-3.6(7)V-00    |        | 7        | RSFP-7VB           |        |
| 7        | RSFP-7V            |        | 7        | RSFP-7VC           |        |
| 7        | RSFP-3.5(7)V-00    |        | 7        | RSFP-7VAA          |        |
| 7        | RSFP-4.5.6(7)V-00  |        | 7        | RSFP-7VAB          |        |
| 7        | RSFP-7V-00         |        | 7        | RSFP-2.4.6(7)VB-00 |        |
| 7        | RSFP-2.3.4(7)V-00  |        | 7        | RSFP-3(7)V         |        |
| 7        | RSFP-2.3.6(7)VB-00 |        | 7        | RSFP-6(7)V-00      |        |
| 7        | RSFP-2.3(7)V-00    |        | 7        | RSFP-7V17          |        |
| 7        | RSFP-2(7)V-00      |        | 7        | RSFP-7V01          |        |
| 7        | RSFP-4.6(7)VB-00   |        | 7        | RSFP-7V07          |        |
| 7        | RSFP-2.6(7)V-00    |        |          |                    |        |
| 7        | RSFP-5(7)V-00      |        |          |                    |        |
| 7        | RSFP-7VA           |        |          |                    |        |

# RSF connector

## Housing 8 Position

| Circuits | Model no.           | Keying | Circuits | Model no. | Keying |
|----------|---------------------|--------|----------|-----------|--------|
| 8        | RSFP-2.3(8)V-00     |        |          |           |        |
| 8        | RSFP-2.4.6.7(8)V-00 |        |          |           |        |
| 8        | RSFP-6.7(8)V-00     |        |          |           |        |
| 8        | RSFP-3(8)V-00       |        |          |           |        |
| 8        | RSFP-8V             |        |          |           |        |
| 8        | RSFP-2.6(8)V-00     |        |          |           |        |
| 8        | RSFP-8V-D           |        |          |           |        |
| 8        | RSFP-8V-00          |        |          |           |        |
| 8        | RSFP-4.5.8(8)V-00   |        |          |           |        |
| 8        | RSFP-4.5.7.8(8)V-00 |        |          |           |        |
| 8        | RSFP-8V-C           |        |          |           |        |
| 8        | RSFP-8V-DA          |        |          |           |        |
| 8        | RSFP-1(8)V-00       |        |          |           |        |
|          |                     |        |          |           |        |
|          |                     |        |          |           |        |

# RSF connector

## Housing 9 Position

| Circuits | Model no.             | Keying | Circuits | Model no. | Keying |
|----------|-----------------------|--------|----------|-----------|--------|
| 9        | RSFP-2(9)V            |        |          |           |        |
| 9        | RSFP-9V-00            |        |          |           |        |
| 9        | RSFP-7(9)V-00         |        |          |           |        |
| 9        | RSFP-1.2.4.5.8(9)V-00 |        |          |           |        |
| 9        | RSFP-4.5.7.8(9)V-00   |        |          |           |        |
| 9        | RSFP-9V-A             |        |          |           |        |
| 9        | RSFP-9V-B             |        |          |           |        |
| 9        | RSFP-9V-C             |        |          |           |        |
| 9        | RSFP-9V-D             |        |          |           |        |
| 9        | RSFP-9V               |        |          |           |        |
| 9        | RSFP-2.4.6.8(9)V-00   |        |          |           |        |
| 9        | RSFP-3(9)V            |        |          |           |        |
| 9        | RSFP-1.9(9)V-00       |        |          |           |        |
|          |                       |        |          |           |        |
|          |                       |        |          |           |        |








# RSF connector

## Housing 10 Position

| Circuits | Model no.              | Keying | Circuits | Model no.                             | Keying |
|----------|------------------------|--------|----------|---------------------------------------|--------|
| 10       | RSFP-2.5.6.7.8(10)V-00 |        | 10       | RSFP-2.3(10)V-00<br>RSFP-2.3(10)V8-00 |        |
| 10       | RSFP-6.7(10)V-00       |        | 10       | RSFP-4(10)V-00                        |        |
| 10       | RSFP-10V-00            |        | 10       | RSFP-10V-03                           |        |
| 10       | RSFP-4.5.7(10)V-00     |        |          |                                       |        |
| 10       | RSFP-2.3(10)V8-00      |        |          |                                       |        |
| 10       | RSFP-3(10)V-00         |        |          |                                       |        |
| 10       | RSFP-6(10)V8-00        |        |          |                                       |        |
| 10       | RSFP-10V8              |        |          |                                       |        |
| 10       | RSFP-6(10)V-00         |        |          |                                       |        |
| 10       | RSFP-2.4.6.7.9(10)V-00 |        |          |                                       |        |
| 10       | RSFP-10V-A             |        |          |                                       |        |
| 10       | RSFP-10V<br>RSFP-10V8  |        |          |                                       |        |
| 10       | RSFP-2(10)V            |        |          |                                       |        |
| 10       | RSFP-2.4.6.7.9(10)V    |        |          |                                       |        |
| 10       | RSFP-6(10)V-00         |        |          |                                       |        |

# RSF connector

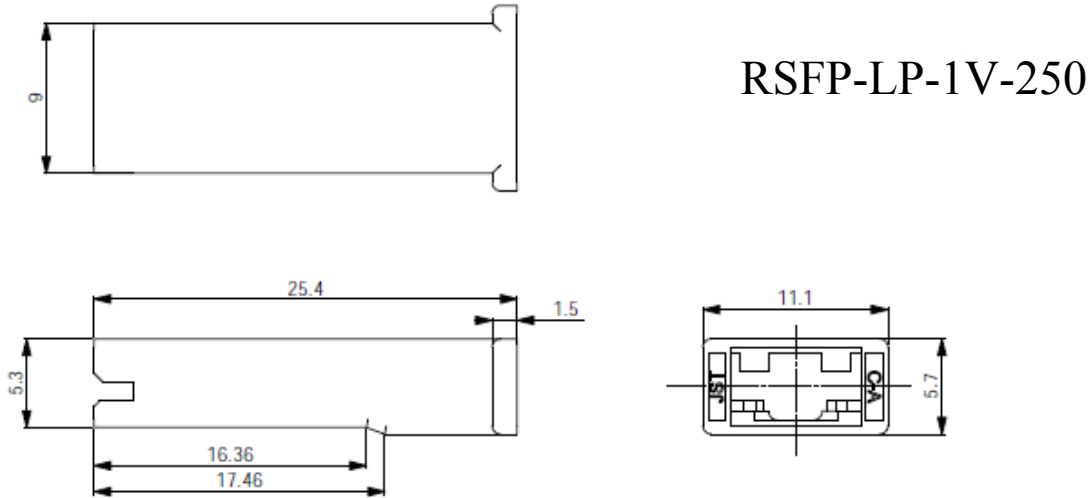
## Housing 11 Position

| Circuits | Model no.        | Keying   |
|----------|------------------|--|
| 11       | RSFP-4.9(11)V-00 |    |
| 11       | RSFP-11V-00      |    |
| 11       | RSFP-3.8(11)V-00 |    |
| 11       | RSFP-11V         |    |
| 11       | RSFP-11V-A       |    |
| 11       | RSFP-11V-B       |   |
| 11       | RSFP-11V-C       |  |
|          |                  |  |
|          |                  |  |
|          |                  |  |
|          |                  |  |
|          |                  |  |



# Single Position Low Profile RSF Housing

## Housing



## Contact

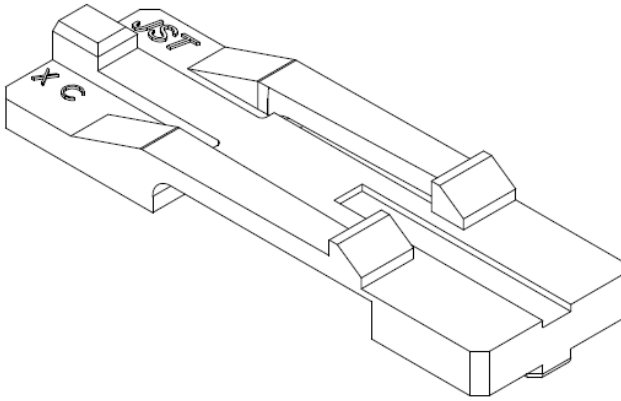
| Applicable Contacts and Wire Gauges |                               |                  |
|-------------------------------------|-------------------------------|------------------|
| Part #                              | Wire Gauge                    | Material         |
| SRSF-21-250A                        | 22-18                         | Brass            |
| SRSF-21T-250A                       |                               | Brass-Tin Plated |
| SRSF-61-250A                        | 18-14                         | Brass            |
| SRSF-61T-250A                       |                               | Brass-Tin Plated |
| SRSF-91-250A                        | 14-12                         | Brass            |
| SRSF-91T-250A                       |                               | Brass-Tin Plated |
| SRSF-82-250A                        | 18+18, 16+16,<br>16+20, 16+14 | Brass            |
| SRSF-82T-250A                       |                               | Brass-Tin Plated |

# RSF CONNECTOR

## Cavity Blocking Plug

---

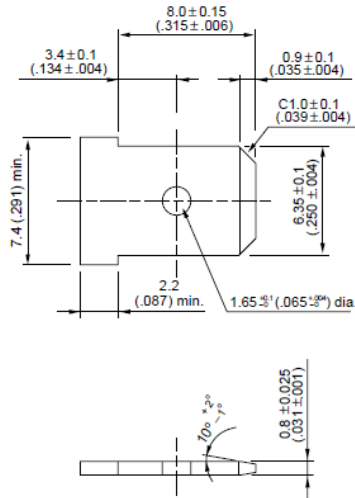
### RSFP-PK



## Applicable tab

---

0.250" x 0.031" Tab



Note: Make sure there are no unneeded ribs or other protuberances on tab surfaces.