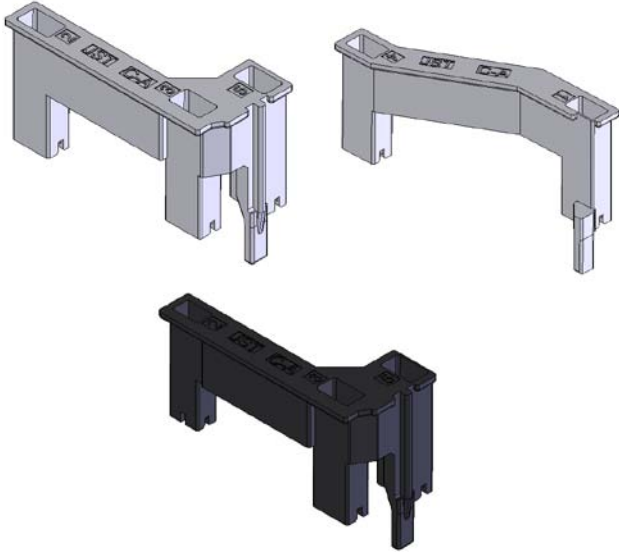




IS Connector

Infinite Switch Connector



Features

•Easy insertion, positive locking

The combination of terminal and housing allows easy mating to a male tab. Unmating is equally easy. Simply hold the housing and pull. The contact locking spring is depressed by the taper inside the housing. The locking mechanism prevents accidental disengagement of the contact from the mating tab.

•Ultra low insertion force

The contact is designed as a low insertion force with a large contact area to give stable performance, even when high current is applied

•Contact back out preventive design

Innovative contact and housing design eliminates contact back out caused due to damaged locking lances during termination and harness assembly.


•Polarizing rib

Polarizing ribs in the housing eliminate miss mating of the housings.

Specifications

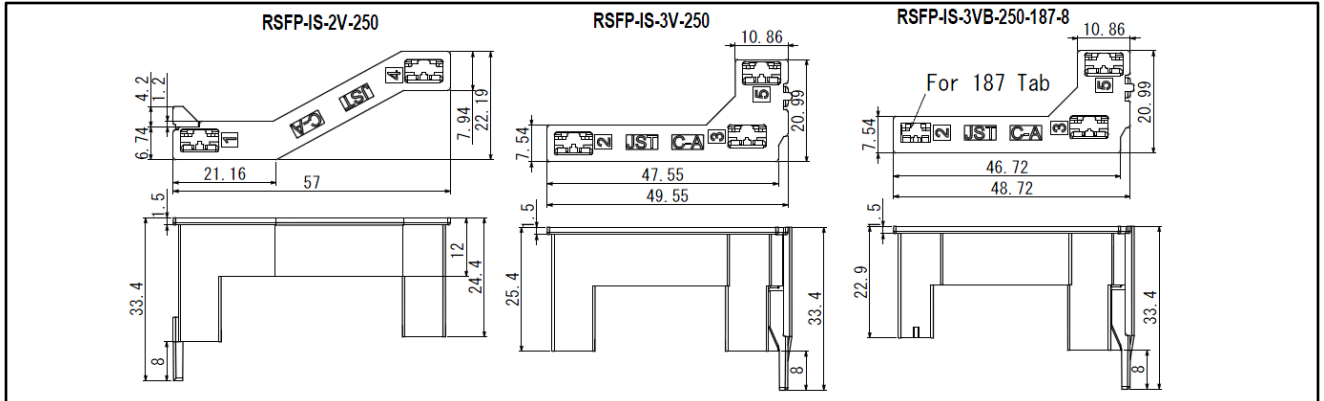
- Current rating: 20A AC, DC max. (AWG#12)
- Voltage rating: 250 AC, DC max.
- Temperature range: -40°C to +105°C
(including temperature rise in applying electrical current)
- Contact resistance: Initial value/3m Ω max.
After environmental testing/ 6m Ω max.
- Insulation resistance: 1,000M Ω min.
- Withstanding voltage: 2,000V AC/minute
- Applicable wire: AWG# 22 to 12
- Refer to "General Instruction and Notice when using Terminals and Connectors at the end of the catalogue.
- Contact JST for details

Standards

 Recognized E60389

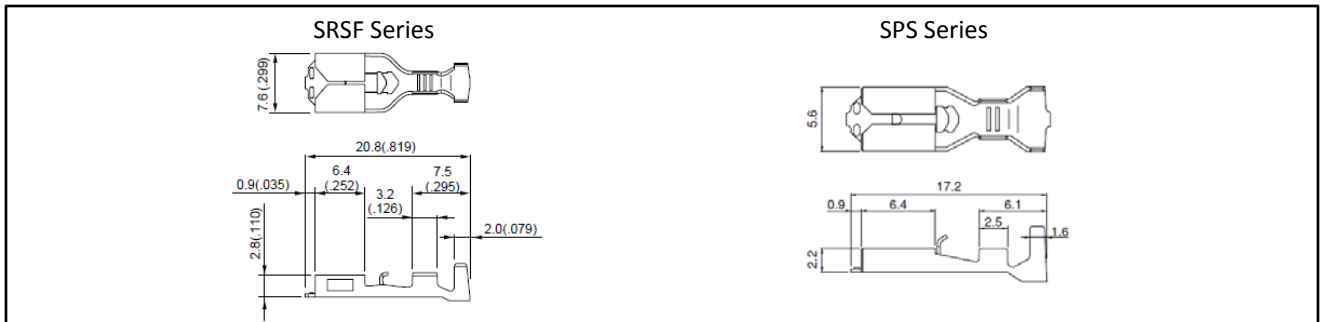
IS connector

Housing



Part #	Material	Color	UL	Max. Operating Temperature	Applicable Contacts
RSFP-IS-2V-250	PBT GF	Natural	UL94, V0	105 °C	SRSF-21()-250A, SRSF-61()-250A, SRSF-91-250A, SRSF-82()-250A
RSFP-IS-3V-250					
RSFP-IS-3VB-250-187-8		Black			SRSF-21()-250A, SRSF-61()-250A, SRSF-91-250A, SRSF-82()-250A, SPS-51T-187-8

Contacts



Part #	Applicable Wire			Material	Surface Finish	Qty/Reel
	mm ²	AWG # UL1015	Insulation O.D. mm(in)			
SRSF-21-250A	0.32 to 0.82	22 to 18	2.5 to 3.0 (0.098 to 0.118)	Brass	-	5,000
SRSF-21T-250A					Tin Plated	
SRSF-61-250A	0.82 to 2.08	18 to 14	3.0 to 3.9 (0.118 to 0.154)	Brass	-	5,000
SRSF-61T-250A					Tin Plated	
SRSF-91-250A	2.08 to 3.30	14 to 12	3.9 to 4.4 (0.154 to 0.173)	Brass	-	5,000
SRSF-82-250A	0.82+0.82, 1.31+1.31, 1.31+0.52, 1.31+2.08	18+18, 16+16, 16+20, 16+14	3.0+3.0, 3.4+3.4, 3.4+2.5, 3.4+3.9 (0.118+0.118, 0.134+0.10, 0.134+0.154)	Brass	-	5,000
SRSF-82T-250A					Tin Plated	
SPS-51T-187-8	0.52 to 2.0, 0.52+0.52	20 to 14, 20+20	1.9 to 3.6, 2.54+2.54 (0.10 to 0.154, 0.10+0.10)	Brass	Tin Plated	7,500

IS connector

Applicator & Die Set

Part #	JST Press		Industry Standard Press	
	Applicator	Die Set	Applicator	Die Set
SRSF-21()-250A	MKLSPS	MKDSSPS21250	CMKR	CMKDPPSPS21250
SRSF-61()-250A	MKLSPS	MKDSSPS61250	CMKR	CMKDPPSPS61250
SRSF-91-250A	MKLSPS	MKDSSRSF82250A	CMKR	CMKDPPRSF82250A
SRSF-82()-250A	MKLSPS	MKDSSPS91250	CMKR	CMKDPPSPS91250
SPS-51T-187-8	MKLSPS	MK/SPS-51-187	-	-